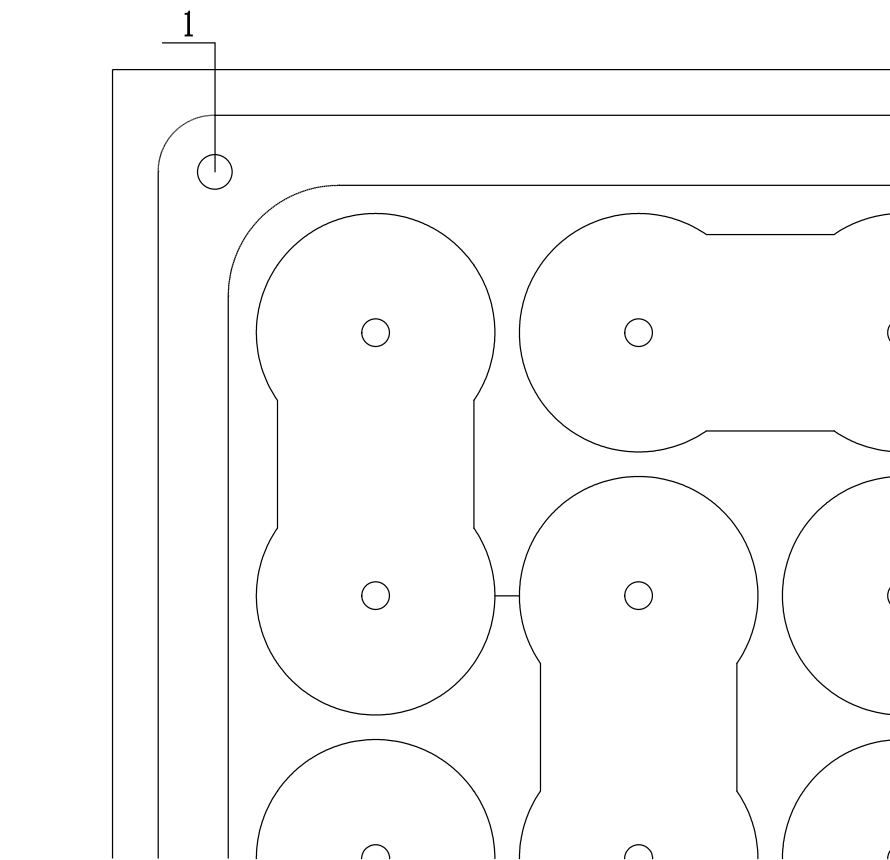
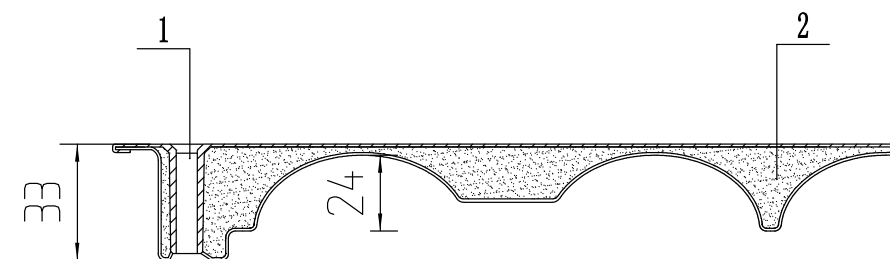


Bottom View



Partial Bottom View


1. Corner lock hole
2. Cement



Partial Sectional View

Notes:

- 1. Fold edge design
- 2. Panel is filled with cement
- 3. Panel is protected with powder coat epoxy
- 4. "∞" bottom design, increase the load capacity

		HAWTONFLOOR	
OFFICE		PANEL SERIES	
HT-OP-03	Bare Finish	FS800-FS2500	Corner Lock